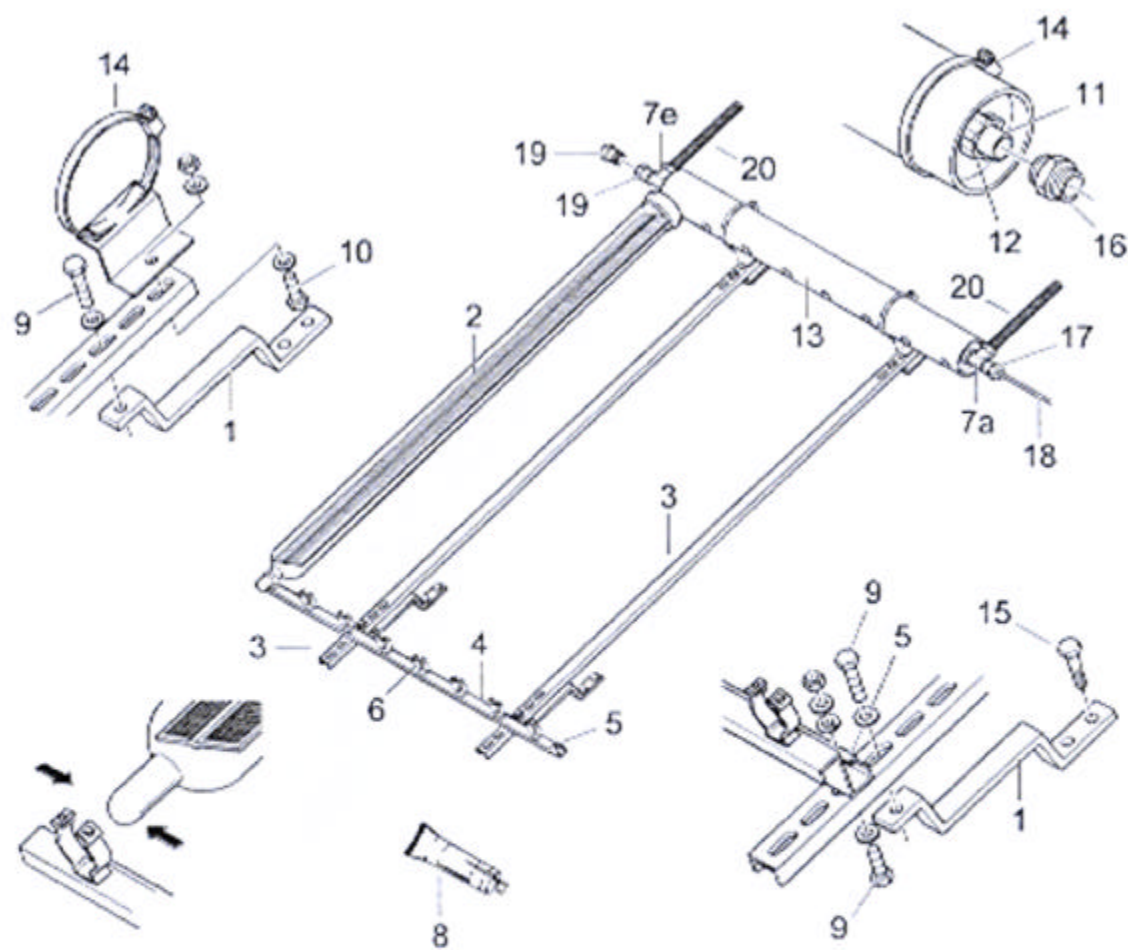


Components and Accessories of Collector



- | | | | |
|----|-------------------------|----|----------------------|
| 1 | roof hooks | 11 | manifold |
| 1a | perforated plates | 12 | insulation |
| 2 | collector tube | 13 | manifold casing |
| 3 | vertical support | 14 | Z-support with clamp |
| 4 | bottom support | 15 | wood screws |
| 5 | rubber profile | 16 | fitting |
| 6 | clips | 17 | cartridge |
| 7 | T-piece (7e, 7a) | 18 | temperature sensor |
| 8 | heat transmission paste | 19 | ventilation valve |
| 9 | screws, M8x25 | 20 | flexible metal tubes |
| 10 | screws, M8x10 | | |